

HAKA 32/44

Technical data

	operation when directly connected to chimney	operation when connected accumulation mass	
	hot air exchanger	S-adaptor	S-accumulation rings
Energy label	A+	A+	A+
Operating data			
Nominal heat power	4 kW	----	----
Efficiency	> 80 %	----	----
Consumption of wood	1,3 kg/h	3 kg	3 kg
Total heat output of the burning chamber	----	12 kW	12 kW
Average heat output / heat accumulation time ⁵	----	1,2 kW / 8 h	1,2 kW / 8 h
Mass flow of flue gas	4,4 g/s	11 g/s	11 g/s
Required chimney pressure	12 Pa	12 Pa	15 Pa
Required amount of combustion air	15 m ³ /h	30 m ³ /h	30 m ³ /h
Average flue gas temperature			
on the output	235 °C	360 °C	360 °C
behind 2,5 m of ceramic accumulation system KMS 240 ¹	----	210 °C	----
behind accumulation rings (5x acc. ring Ø345mm)	----	----	240 °C
Heat distribution			
fireplace insert	75–85 %		30 %
door glass (single / double)	25 / 15 %		25 / 15 %
additional accumulation mass	----		45–55 %
Information for ventilated builds			
Minimal grill area supply / outgoing	600 cm ²		600 cm ²
Minimum distance from insulated areas / floor	50 / 0 mm		50 / 0 mm
Reference insulation ² ceiling / back wall / side wall / floor	120 / 70 / 70 / 0 mm		120 / 70 / 70 / 0 mm
Calciumsilicate insulation ³ ceiling / back wall / side wall / floor	80 / 50 / 50 / 0 mm		80 / 50 / 50 / 0 mm
Information for non-ventilated builds (closed grills)			
Minimum radiant area ⁴	suitable		3 m ²
Minimum distance from insulated areas / floor	50 / 20 mm		50 / 20 mm
Reference insulation ² ceiling / back wall / side wall / floor	160 / 90 / 90 / 20 mm		160 / 90 / 90 / 20 mm
Calciumsilicate insulation ³ ceiling / back wall / side wall / floor	120 / 70 / 70 / 20 mm		120 / 70 / 70 / 20 mm
General technical information			
Total weight / lining weight		ca. 110 / 44 kg	
Burning chamber dimensions (width x depth)		250 x 210 mm	
Combustion air connection		Ø 100 mm	
Use in non-ventilated accumulation builds according to craft rules		suitable	
Tested according to		EN 13229 / EN 16510 (from November 2025)	
Meets values		1. BlmSchV (Stufe2), 15a BVG	

1 Listed value from testing. For accurate results is evaluation of each system in the Ortnr / KOV program necessary

2 Mineral wool according to AGI-Q 132

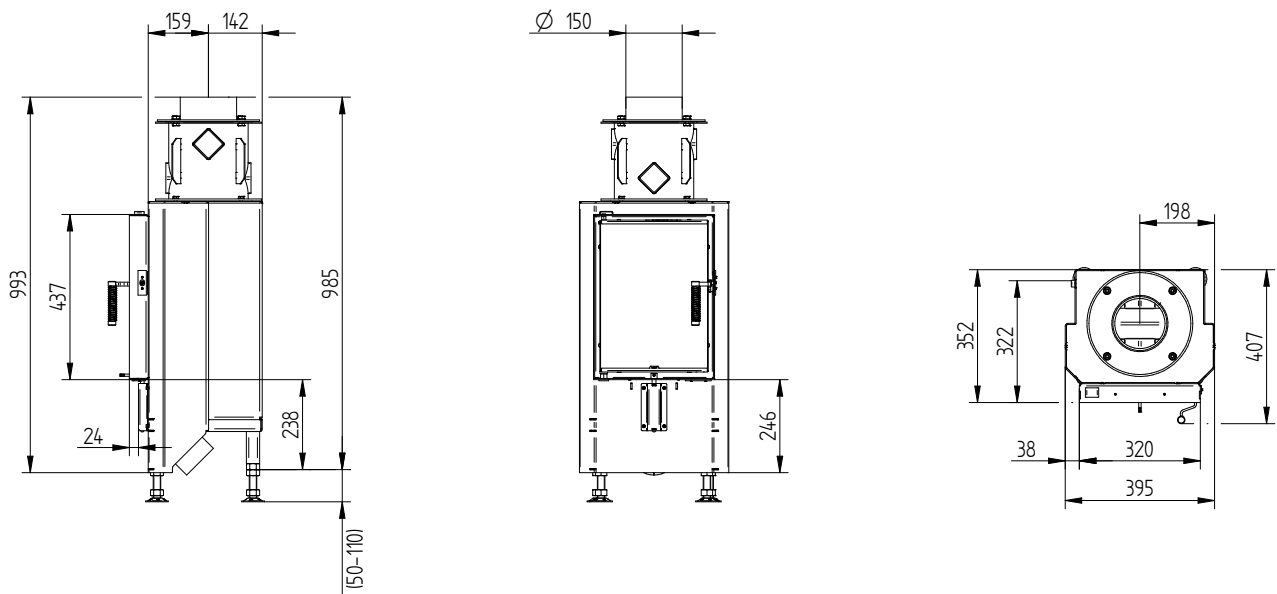
3 Example SkamoEnclosure Board 225 kg/m³

4 Depends on accumulation period and material characteristics. Listed values calculated with average specific heat output = approx. 500 W/m²

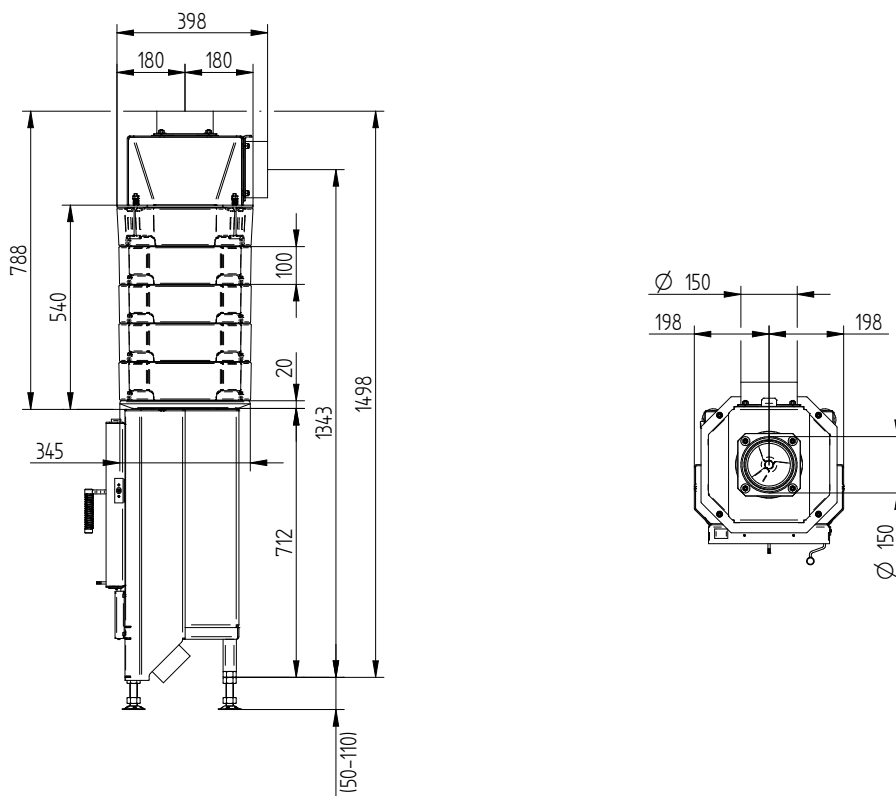
5 Storage operation, one wood charge for storage duration, with closed construction and efficiency > 80%

HAKA 32/44

HAKA 32/44 hot air exchanger vertical

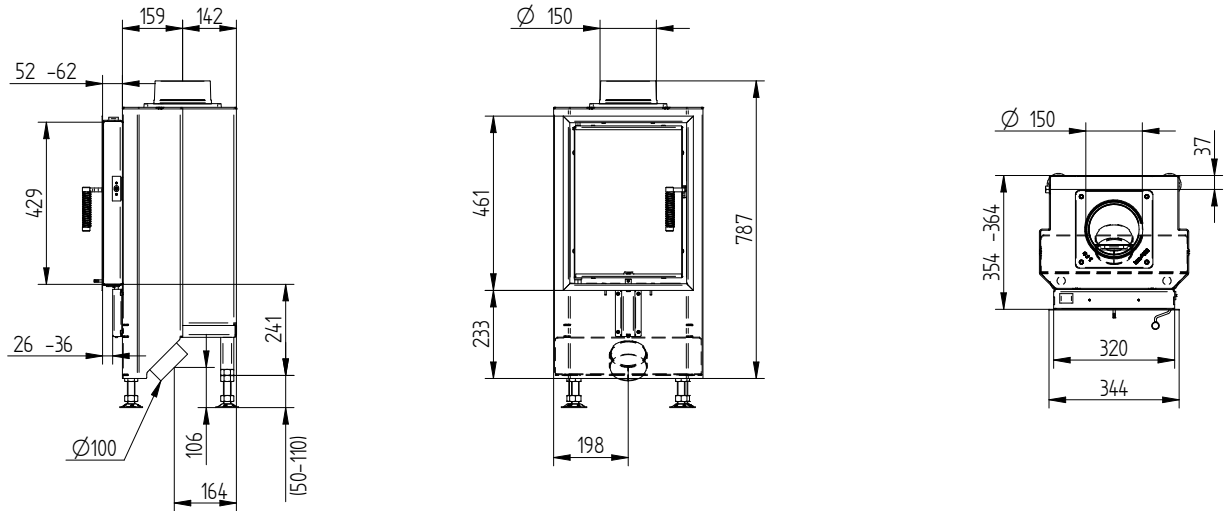


HAKA 37/50 S-accumulation set

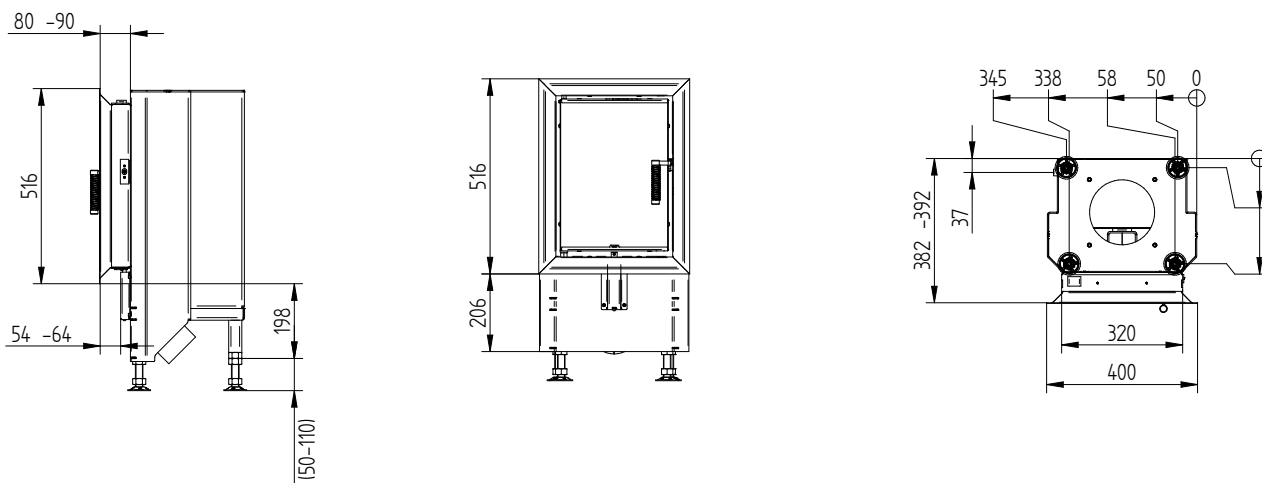


HAKA 32/44

Cover frame 32/44 side opening additional smoke outlet / 4sides 50 mm 1 x 90° / air inlet

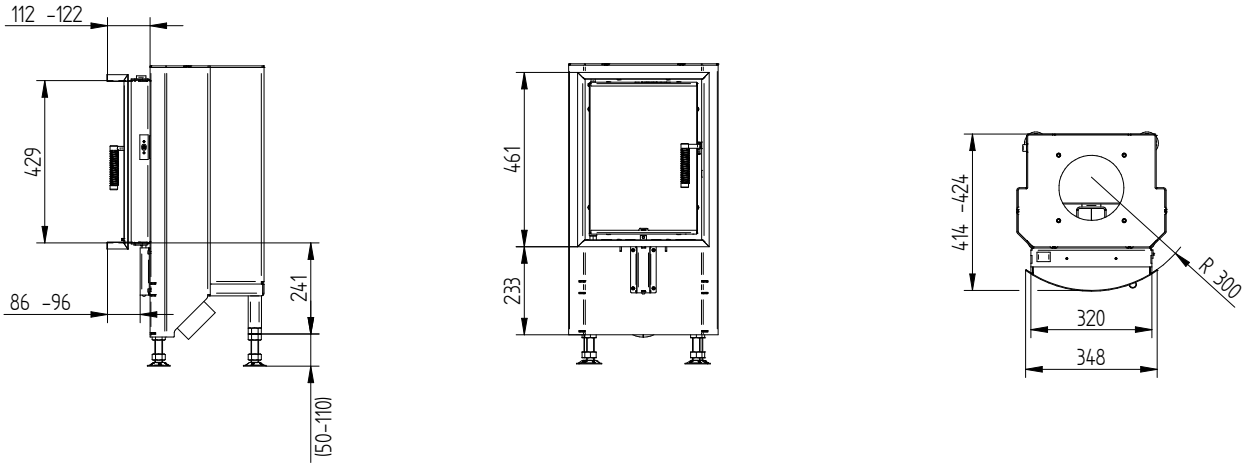


Cover frame 32/44 side opening 4sides 50 mm 2 x 45° / feet

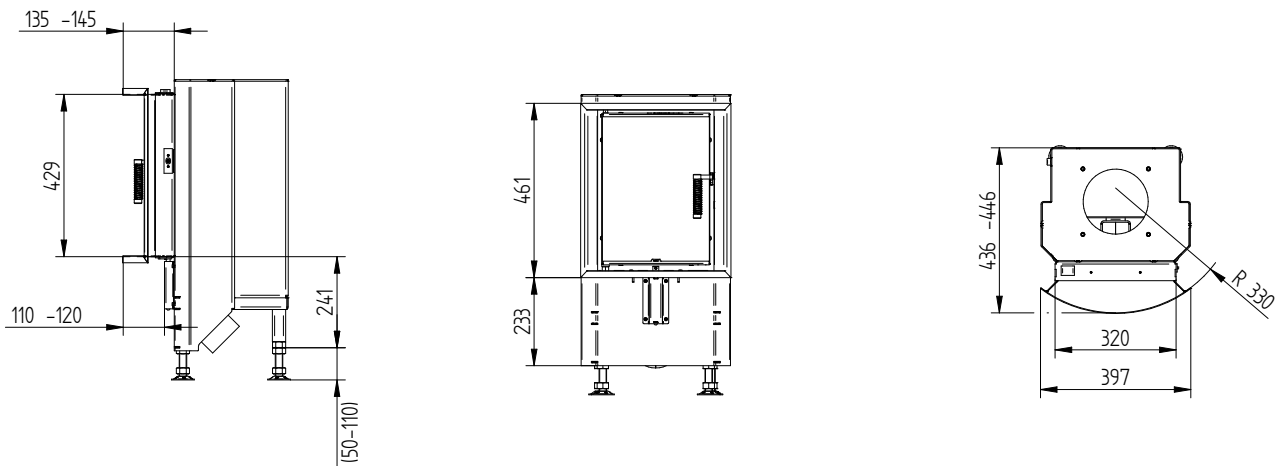


HAKA 32/44

Cover frame 32/44 side opening 4sides R300 mm 1 x 90°



Cover frame 32/44 side opening 4sides R330 mm 1 x 90° / 2 x 45°



Door frame 32/44 90 mm thick. 5 mm

